

1041AM-B



Color Video Display

10.4" AMLCD

VGA (optional SVGA, XGA)

Touchscreen option

The new GD Canada video display supports color and mono camera applications, and is available with integrated sensor controls. Based on GD Canada display technology which has seen service in thousands of wheeled and tracked vehicles, including the Bradley Fighting Vehicle, the Abrams M1A2SEP, the EFV (AAAV), and the LAV, this display is a cost-effective, compact solution for your video display requirements.

Features

- Multi-channel video or computer graphic input
- Wide viewing angle
- Built for survivability in extreme conditions

Technical Specifications

Optical Characteristics

- Viewing Area 8.3" (211 mm) x 6.2" (157 mm)
 - Matrix 640 x 480 (optional 800 x 600, 1024 x 768)
 - 18 bit color
 - Brightness > 171 cd/m²
- Brightness control < 1.7 to > 171 cd/m²
 - Contrast Ratio 50:1 @ 200fc illumination
- Viewing Angles
 - Horizontal > +/-50° Vertical > 45° up, 20° down

Environmental Conditions

- Operating Temperature -40°C to +60°C (-40°F to +140°F)
- Storage Temperature -50°C to +71°C (-58°F to +159.8°F)
- Relative Humidity up to 100%
- Shock MIL-STD-810E, Method 514.4, Procedure 1, Functional Shock
- Vibration MIL-STD-810E, Method 516.4, Ground Mobile

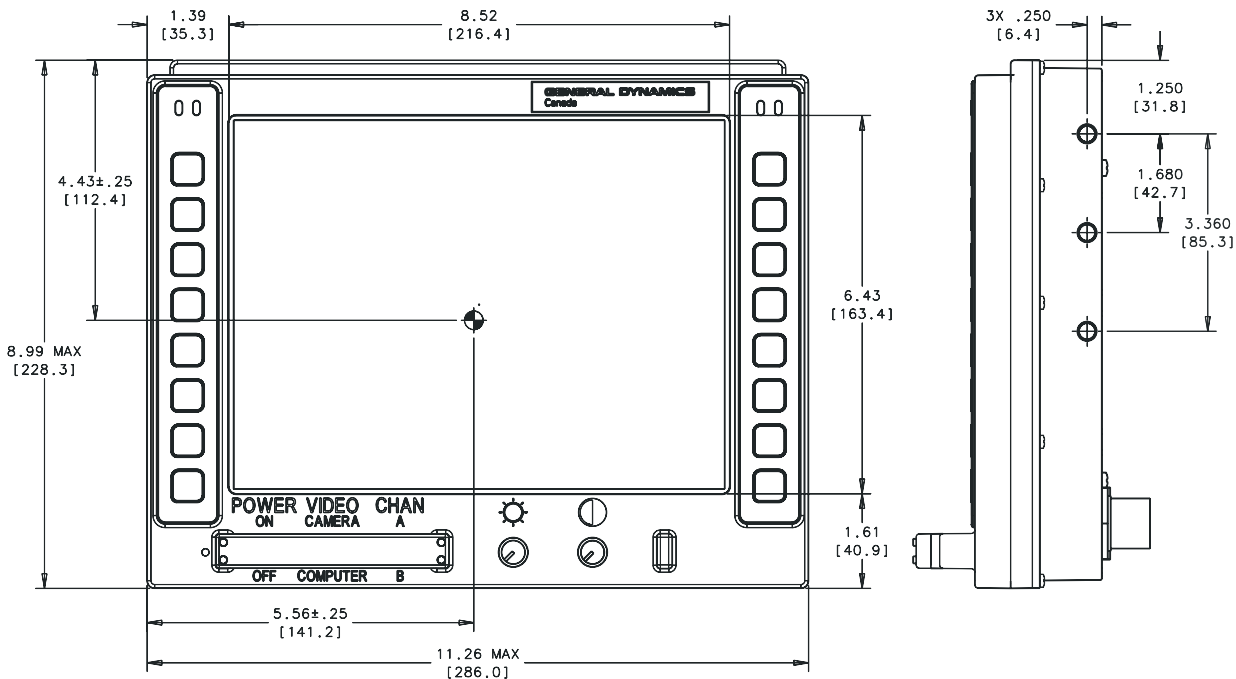
Physical Characteristics

- Height 9.45" (240 mm)
- Width 11.26" (286 mm)
- Depth 1.66" (42 mm)
- Weight 8.25 lbs max (3.74 kg)

Interfaces

- Video
 - On-screen display
 - RS170 NTSC (optional PAL) 2 channels
 - RGB Analog (VGA) 2 channels
 - Formats: VGA (optional SVGA, XGA)
 - Digital zoom provides smooth scale from lower resolution video signal (option)
 - Digital frame rate converter/de-interlacer (option)
- RS-422 serial data interface
- Touchscreen option

The display described represents a typical configuration of this family of products. Specifications may be configurable for specific customer requirements. For specifics on interfaces, bezel buttons, casings, connectors, and other configurations, please contact your GD Canada representative listed below.



GENERAL DYNAMICS Canada

Vetronics Division • Business Development • 3785 Richmond Road • Ottawa, ON, Canada K2H 5B7 • Phone +1 613 596-7131 • Fax +1 613 596-7803
 Website: www.gdcanada.com