

PE6000

Vehicle Computer



Compact Intel Computer

The PE6000 Intel Computer Unit has been fielded in the US Army's Stryker vehicle to support the Land Warrior program. It is a sealed, conduction-cooled, military computer based on a standard Intel processor. This computer can be networked and attached to military keyboards and displays to provide full computing power, using common operating systems, such as Windows XP, LINUX, and others, in the most severe environments.

The PE6000 provides a full suite of processing power, storage, and standard I/O through the circular military connectors. The compact and sealed EMI-compliant enclosure, convenient mounting holes and optional mounting kit ensure low-profile mounting in combat vehicles.

Features:

- Pentium-based computing
- Solid state storage
- Flexible I/O including audio interface for intercom
- Low profile, low power unit

Technical Information

Processor Unit

CPU	Intel® Celeron M 1.06 GHz Intel® Core™2 Duo 1.06 GHz
CPU L2 Cache	1 MB to 2 MB
Memory	1 GB (Optional growth up to 2 GB)
Video Controller	Intel Graphics Media Accelerator 950 Max. resol. CRT = QXGA 2048 x 1536 Max. resol. LCD= UXGA 1600 x 1200
Video Memory	224 MB Max
Hard Disk	32 GB (Upgradeable 64 GB, 128 GB) SATA Solid State Drive
Keyboard Port	USB
Video Port	VGA
Serial Ports	Three configurable as RS-232 or RS-422 Meets EIA/TIA and CCITT specifications
Audio (optional)	Audio Out AC '97 and SoundBlaster Pro™ compatible MIC/Line IN
USB	3 x USB 1.1/2.0 Ports (UHCI and EHCI) USB legacy keyboard support USB floppy, CD-ROM, Hard Drive and Memory Stick boot support
Ethernet	2 x 10/100/1000 BaseT
OS Support	WinNT, Win98, Win2K, WinXP
CANBus (optional)	ISO 11898-compliant CAN interface allows transfer rates up to 1 Mbps/s

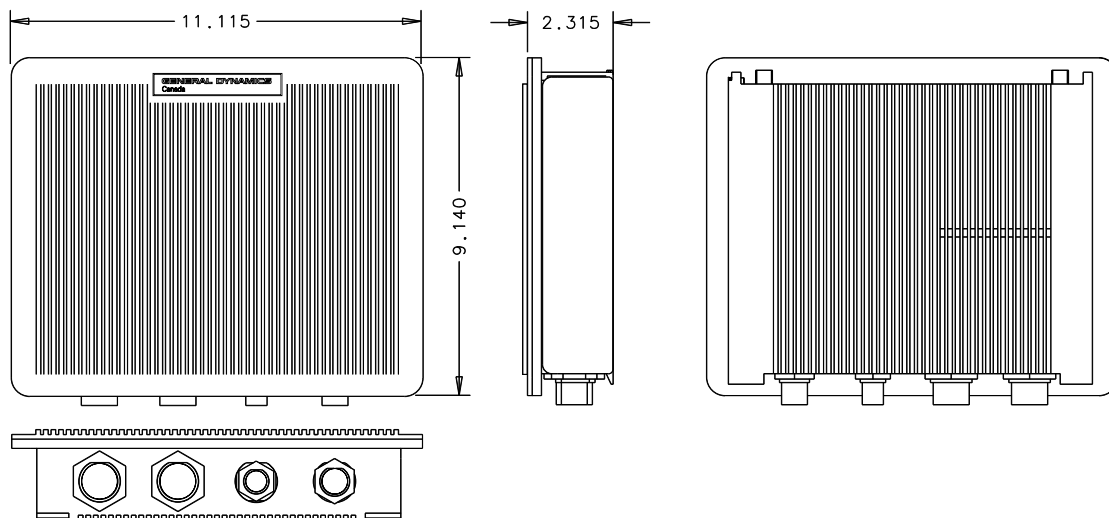
Operator Interface	16 button Switch panel (backlit)
Power Supply	MIL-STD-1275D 6 V Initial Surge, 16 V cranking Reverse polarity protection

Physical Characteristics

Size	6.00" w x 10.12" h x 2.66" d (without mounting provisions & connectors) 6.29" w x 12.04" h x 2.66" d (with mounting provisions & connectors)
Weight	9.5 lbs
Connectors	Sealed

Environmental Conditions

Operating Temperature	-40°C to +52°C
Storage Temperature	-40°C to +71°C
Vibration	Tracked/Wheeled Vehicles
Shock	40 g, 6 msec 1/2 sine
Water Tightness	50 PSIG
Altitude	15000 ft
Humidity	3% to 100% condensing
Sand Dust	20 mph for 30 min
Explosive Atmosphere	Yes
Salt Fog	48 hrs
EMI/EMC	MIL-STD-461E



GENERAL DYNAMICS

Canada

Vetronics Division • Business Development • 3785 Richmond Road • Ottawa, ON Canada K2H 5B7 • Phone +1 613 596-7131 • Fax +1 613 596-7803
Website: www.gdcanada.com • email: chris.chance@gdcanada.com