

# PC3000



## *Pentium™ M Conduction-Cooled 3U CompactPCI Single Board Computer*

The PC3000 single board computer is a proven performer in vehicle combat systems applications. It combines the power of a Pentium™ M CPU, 2 GB of memory, and numerous I/O devices into the 3U CompactPCI format. The PC3000 is a member of the GD Canada's growing line of compatible 3U single board computers targeted for defense and aerospace applications. Used in FCS/ICS Spin Out 1 Network Integration Kit.

### **Features:**

- Intel® Pentium® M up to 1.8 GHz
- Up to 2GB DDR-SDRAM 333 MHz Memory
- Single Slot, 3U cPCI
- IEEE 1101.2 Conduction-cooled
- Conduction-cooled per VITA 30.1-2002

# Technical Information

## Computer

- Intel® Pentium® M up to 1.8 GHz
- 2MB L2 cache on-die
- 400 MHz Front Side Bus
- Up to 2GB DDR-SDRAM 333 MHz PC2700 Memory with ECC support
- Intel Extreme Graphics 2 with up to 128MB of Shared system Memory
- Standard VGA Interface
- Single Pixel LVDS Video Interface
- Dual Gigabit Ethernet 10/100/1000 Base-T (Boot From LAN Support)
- Serial ATA Hard Drive Interface
- 2 x USB 2.0 ports (Boot From USB Support)
- 1 x Serial Port, Configurable Protocols (RS232/422)
- Trusted Platform Module (TPM) 1.2
- 4 x GPIO Capable of Generating Interrupts
- Single Slot, 3U cPCI Form Factor
- PCI Mezzanine Card (PMC) Slot with 4 Single Ended and 8 Differential rear I/Os
- IEEE 1101.2 Conduction Cooled

## Optional PMC Functions

- CompactFlash®
- Dual Gigabit Ethernet 10/100/1000 Base-T (Boot From LAN Support)



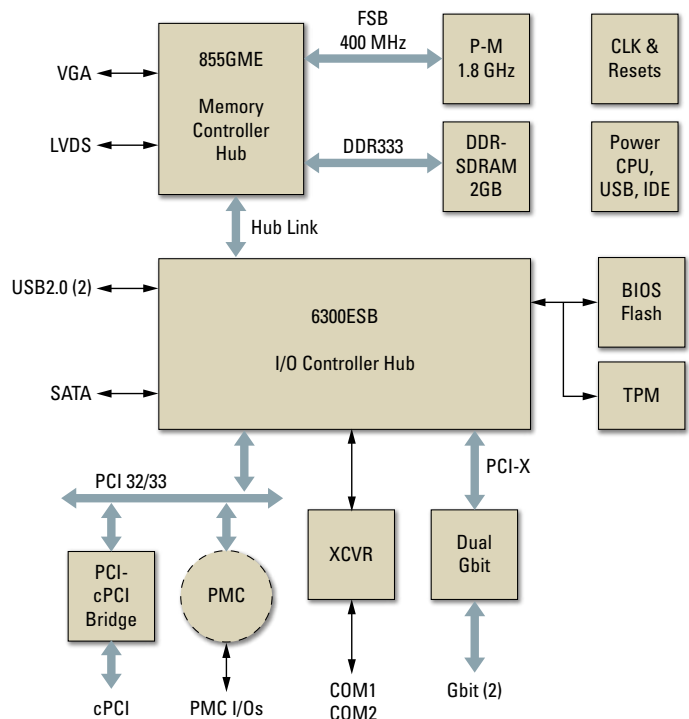
## Software

- Operating Systems Supported:
  - VxWorks
  - Windows®
  - Solaris x86 2.x
  - Linux
  - LynxOS
- BIOS Setup for Watchdog timer with a 128 msec. to 32 sec. timeout interval

## Environmental

- Operating temperature:
  - -46°C to +85°C (-51°F to +185°F) at card edge
- Storage Temperature:
  - -51°C to +91°C (-60°F to +195°F)
- Shock:
  - MIL-STD-810F, Method 516.5, Procedure I
- Vibration:
  - MIL-STD-180F, Method 514.5 Category 13, 14, 20 and 24

## Block Diagram



**GENERAL DYNAMICS**  
Canada

Vetronics Division • Business Development • 3785 Richmond Road • Ottawa, ON, Canada K2H 5B7 • Phone 1+613 596-7131  
Website: [www.gdcanada.com](http://www.gdcanada.com)